





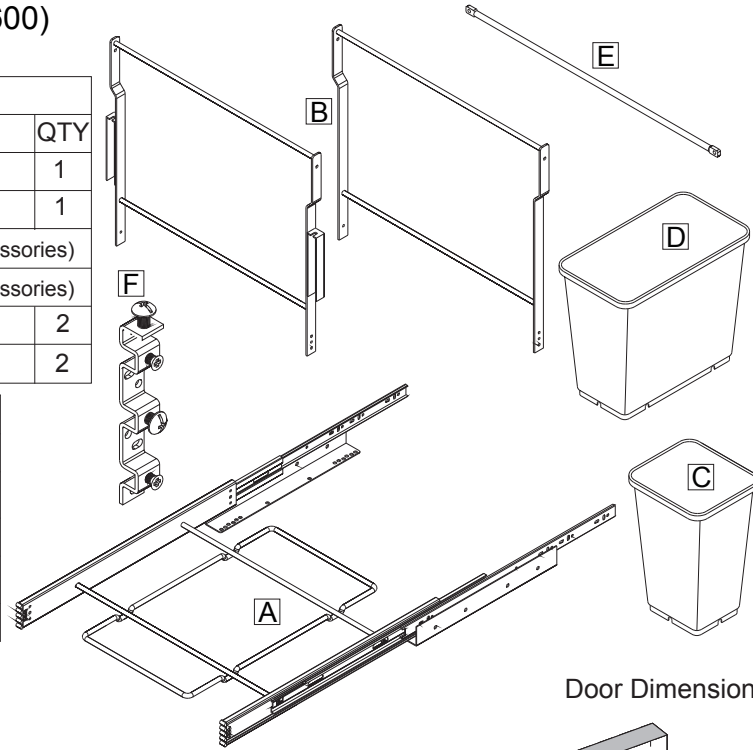
ITEM NO. FJ160 (F5600)
Pull-out Waste Bin

PANELS CHECK LIST

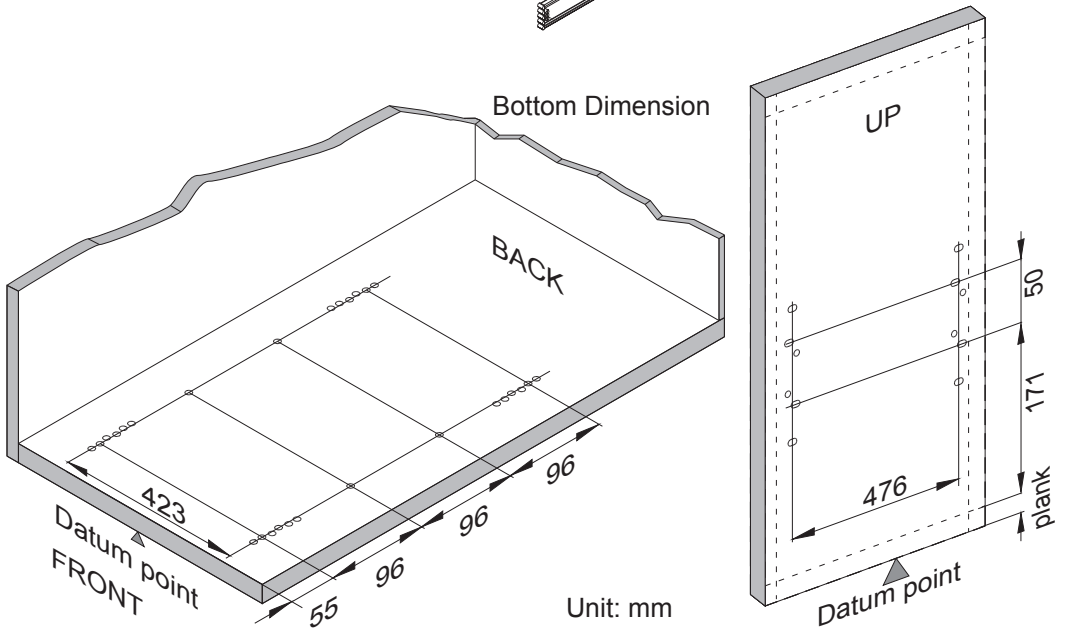
Description	QTY
A Base frame runner	1
B Frame	1
C Waste Bin (Available accessories)	
D Waste Bin (Available accessories)	
E Connecting rod	2
F Door bracket	2

FITTINGS CHECK LIST

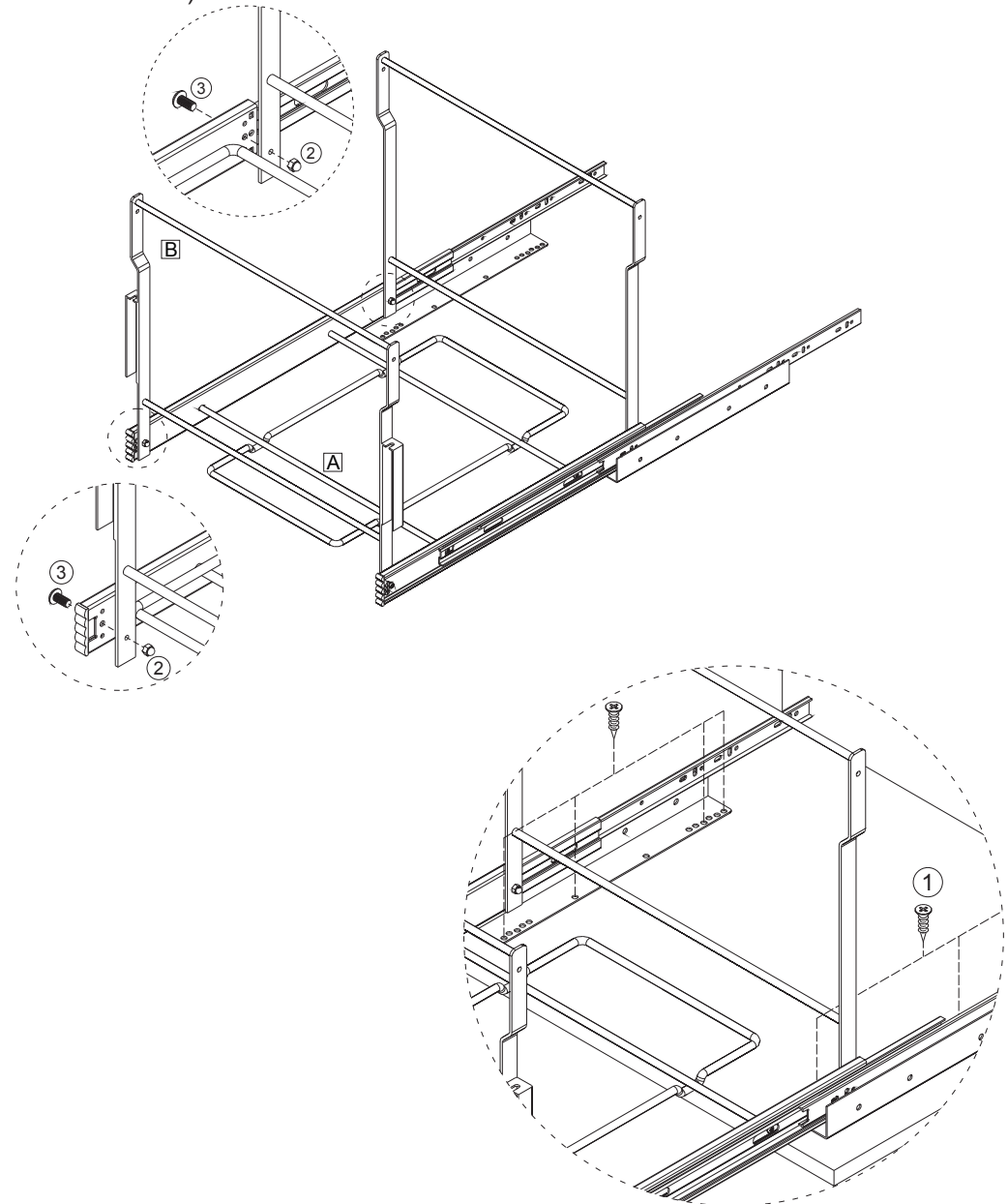
Description	QTY
1 Wood Screw 	16
2 Nut 	4
3 Screw 	4
4 Screw 	4



Door Dimension

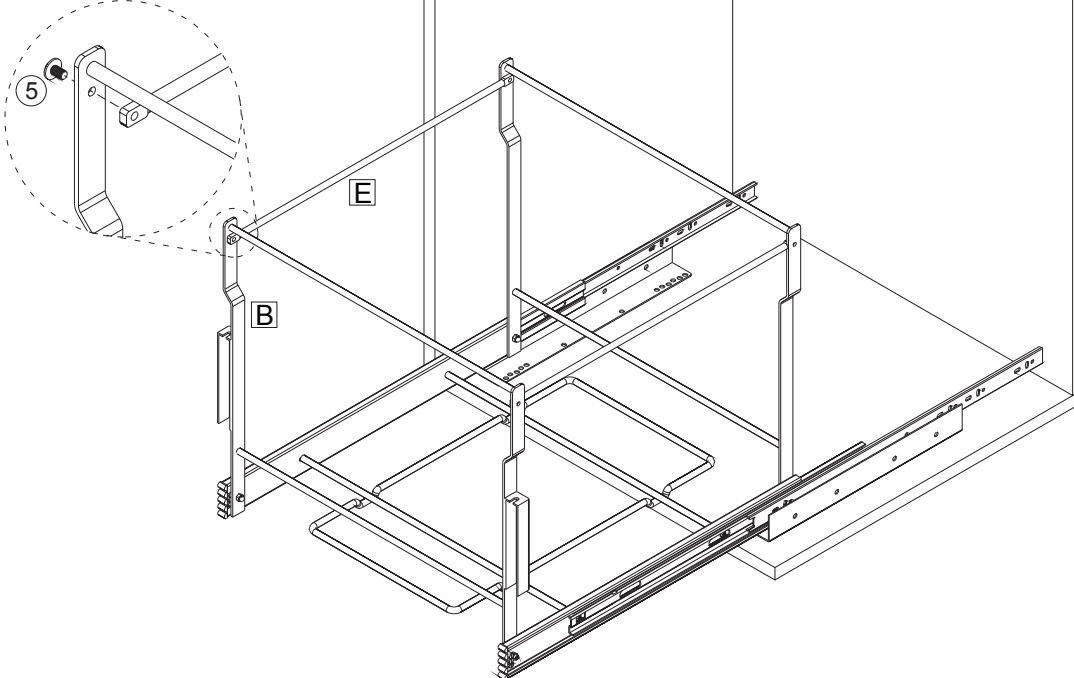


1. Put frame B on the base frame runner A. Fix the frame B and connect to the base frame runner A. (Exchange the front and back frame position in order to make sure of opening the cabinet door.)

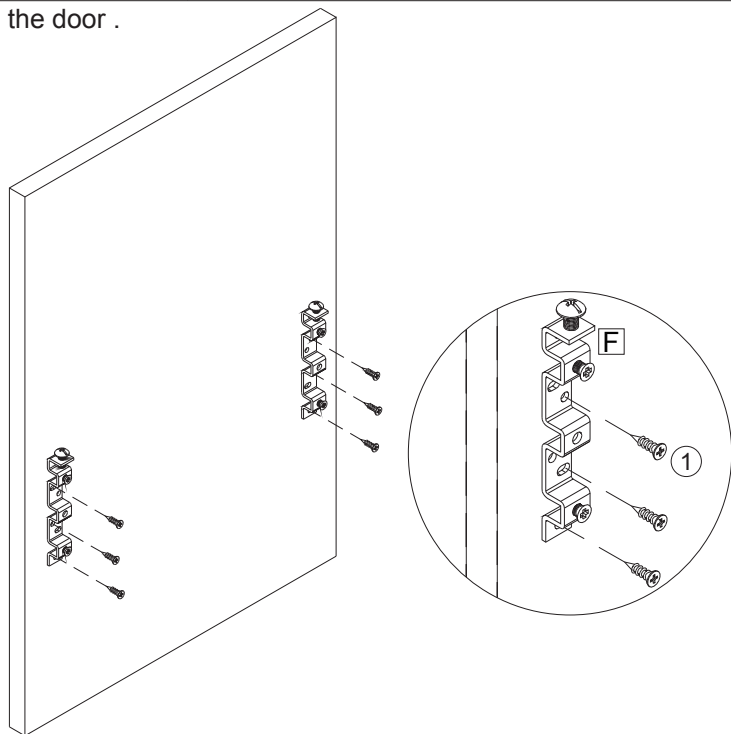


*Fix the base frame runner A to the cabinet.

2. Fix the Connecting rod E between the front and back of frame B.



4. Fix the door brackets to the door .



5. Then fix F to the frame B. Put the waste bin on the base frame B.

